

# QCK-FB-A220-1

## 2.92mm Female

Features:  
\* Low VSWR

Applications:  
\* Wireless  
\* Radar  
\* Instruments  
\* Electronics

### Electrical

Frequency: DC~40GHz  
VSWR: 1.35 max.  
Impedance: 50Ω

### Mechanical

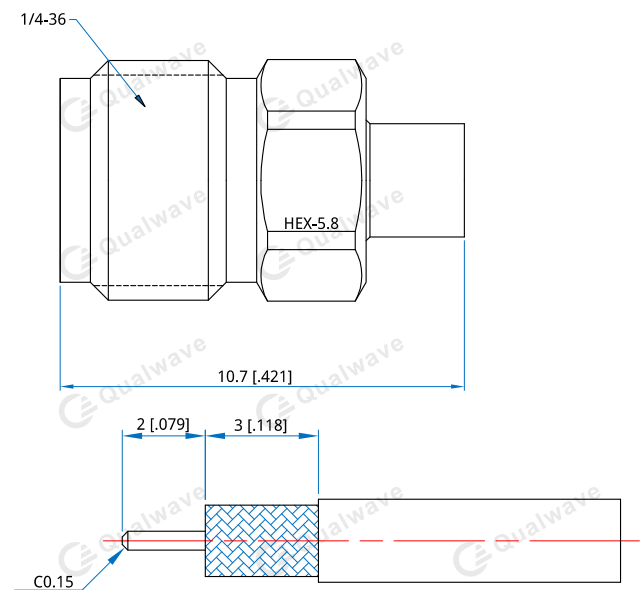
RF Connector: 2.92mm Female  
Mating Cable: QA220  
Outer Conductor: Gold plated brass  
Inner Conductor: Gold plated beryllium copper

### How To Order

**QCK-FB-A220-1**

Customization is available upon request.

### Outline Drawings



Unit: mm [in]

Tolerance: ±0.2mm [±0.008in]