

# QCK-FG-A360-1

## 2.92mm Female

Features:  
\* Low VSWR

Applications:  
\* Wireless  
\* Radar  
\* Instruments  
\* Electronics

### Electrical

Frequency: DC~40GHz  
VSWR: 1.3 max.

### Mechanical

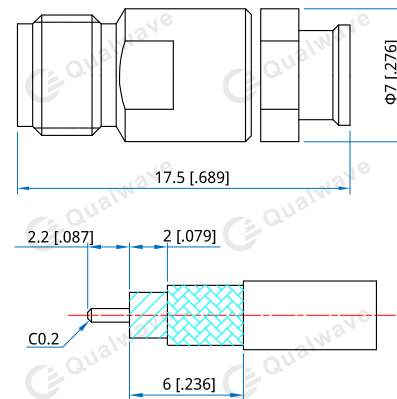
RF Connector: 2.92mm Female  
Mating Cable: QA360  
Outer Conductor: Passivated Stainless Steel  
Inner Conductor: Gold Plated Beryllium Copper

### How To Order

**QCK-FG-A360-1**

Customization is available upon request.

### Outline Drawings



Unit: mm [in]

Tolerance:  $\pm 0.2$ mm [ $\pm 0.008$ in]