

QCK-FL2G-A220-1

2.92mm Female, 2-Hole Flange Mount

Features:
* Low VSWR

Applications:
* Wireless
* Radar
* Instruments
* Electronics

Electrical

Frequency: DC~40GHz
VSWR: 1.25 max.
Impedance: 50Ω

Mechanical

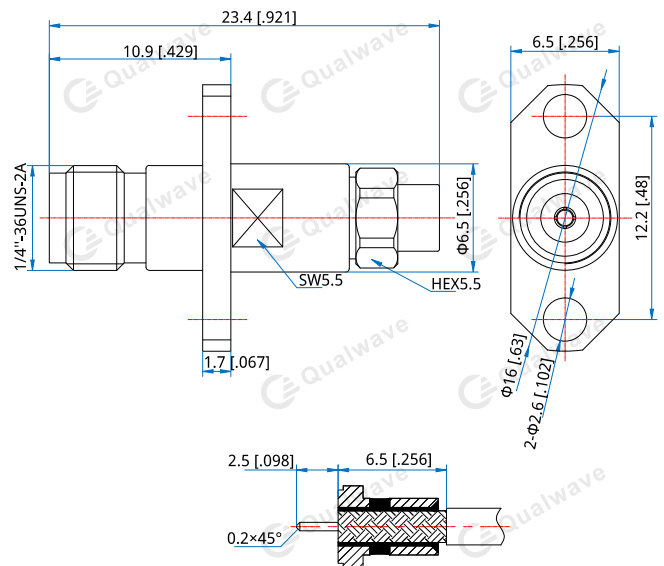
RF Connector: 2.92mm Female
Mating Cable: QH280, QD086, QE086, RG316, RG316D
Outer Conductor: 303F stainless steel

How To Order

QCK-FL2G-A220-1

Customization is available upon request.

Outline Drawings



Unit: mm [in]

Tolerance: $\pm 0.2\text{mm}$ [$\pm 0.008\text{in}$]