

# QCK-FL4G-A220-1

## 2.92mm Female, 4-Hole Flange Mount

Features:  
\* Low VSWR

Applications:  
\* Wireless  
\* Radar  
\* Instruments  
\* Electronics

### Electrical

Frequency: DC~40GHz  
VSWR: 1.25 max.  
Impedance: 50Ω

### Mechanical

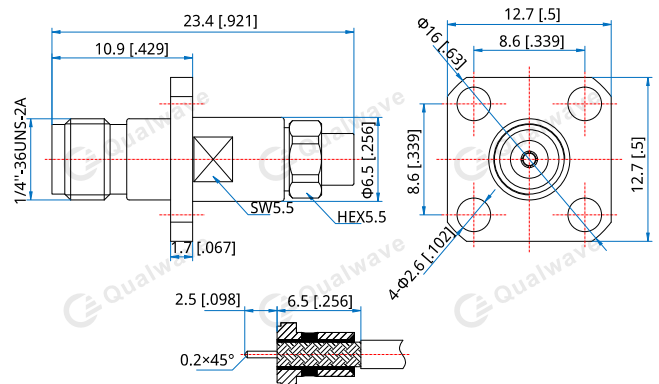
RF Connector: 2.92mm Female  
Mating Cable: QH280, QD086, QE086, RG316, RG316D  
Outer Conductor: 303F stainless steel

### How To Order

**QCK-FL4G-A220-1**

Customization is available upon request.

### Outline Drawings



Unit: mm [in]

Tolerance:  $\pm 0.2\text{mm}$  [ $\pm 0.008\text{in}$ ]