

QCK-MG-086-3

2.92mm Male

Features:
* Low VSWR

Applications:
* Wireless
* Radar
* Instruments
* Electronics



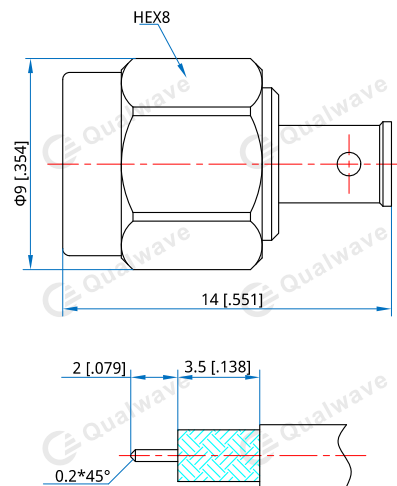
Electrical

Frequency: DC~40GHz
VSWR: 1.25 max.

Mechanical

RF Connector: 2.92mm male
Mating Cable: QA220, QH280, QD086, QE086, RG316
Outer Conductor: Stainless steel

Outline Drawings



Unit: mm [in]
Tolerance: ± 0.2 mm [± 0.008 in]

How To Order

QCK-MG-086-3

Customization is available upon request.