

# QCK-MG-141-1

## 2.92mm Male

Features:  
\* Low VSWR

Applications:  
\* Wireless  
\* Radar  
\* Instruments  
\* Electronics



### Electrical

Frequency:	DC~40GHz
VSWR:	1.35 max.(DC~26.5GHz )
Impedance:	50Ω

### Mechanical

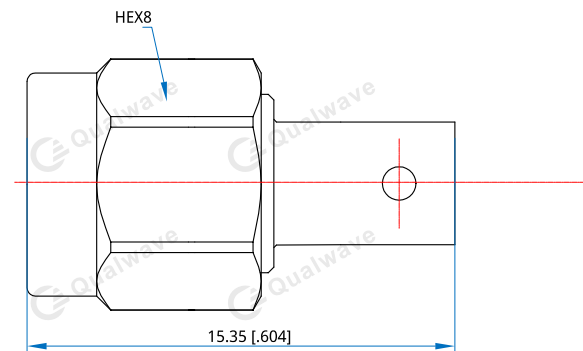
RF Connector:	2.92mm Male
Mating Cable:	141
Outer Conductor:	Gold Plated Copper
Inner Conductor:	Gold Plated Beryllium Copper

### How To Order

#### QCK-MG-141-1

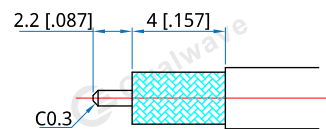
Customization is available upon request.

### Outline Drawings



Unit: mm [in]  
Tolerance:  $\pm 0.2$ mm [ $\pm 0.008$ in]

### Stripping Reference



Unit: mm [in]  
Tolerance:  $\pm 0.1$ mm [ $\pm 0.004$ in]