

QCK-MRG-A220-1

2.92mm Male Right Angle

Features:
* Low VSWR

Applications:
* Wireless
* Radar
* Instruments
* Electronics

Electrical

Frequency:	DC~40GHz
VSWR:	1.35 max.
Impedance of Dielectric:	5000MΩ min.
Voltage Withstand:	750V DC min.
Impedance:	50Ω

Mechanical

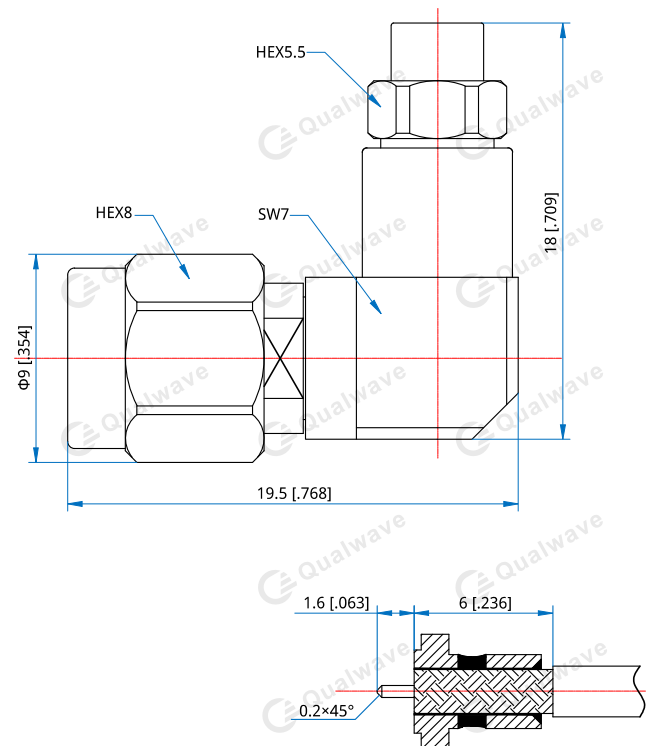
RF Connector:	2.92mm male
Mating Cable:	QA220
Outer Conductor:	303F stainless steel

How To Order

QCK-MRG-A220-1

Customization is available upon request.

Outline Drawings



Unit: mm [in]

Tolerance: $\pm 0.2\text{mm}$ [$\pm 0.008\text{in}$]