

# QCK-MRG-Z360-1

## 2.92mm Male, Right Angle

Features:  
\* Low VSWR

Applications:  
\* Wireless  
\* Radar  
\* Instruments  
\* Electronics

### Electrical

Frequency:	DC~40GHz
VSWR:	1.25 max.
Impedance of Dielectric:	5000MΩ min.
Voltage Withstand:	750V DC min
Impedance:	50Ω

### Mechanical

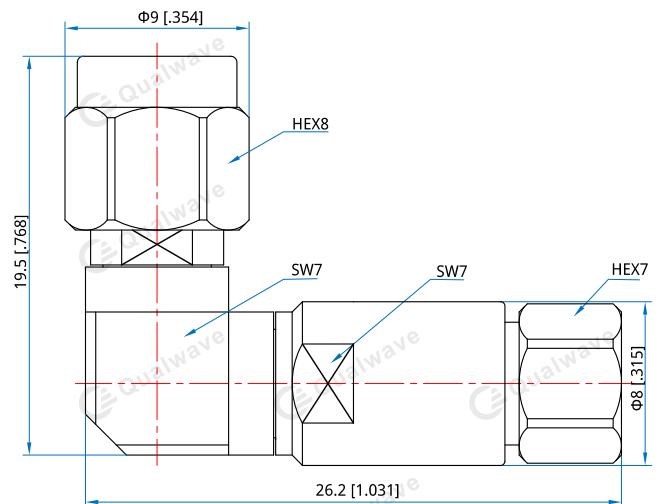
RF Connector:	2.92mm Male, Right Angle
Mating Cable:	QZ360
Outer Conductor:	303F stainless steel

### How To Orderf

**QCK-MRG-Z360-1**

Customization is available upon request.

### Outline Drawings



Unit: mm [in]

Tolerance:  $\pm 0.2$ mm [ $\pm 0.008$ in]