

# QCM-MB-086-1

## MCX Male

Features:  
\* Low VSWR

Applications:  
\* Wireless  
\* Radar  
\* Instruments  
\* Electronics

### Electrical

Frequency: DC-6GHz  
VSWR: 1.25 max.  
Impedance: 50Ω

### Mechanical

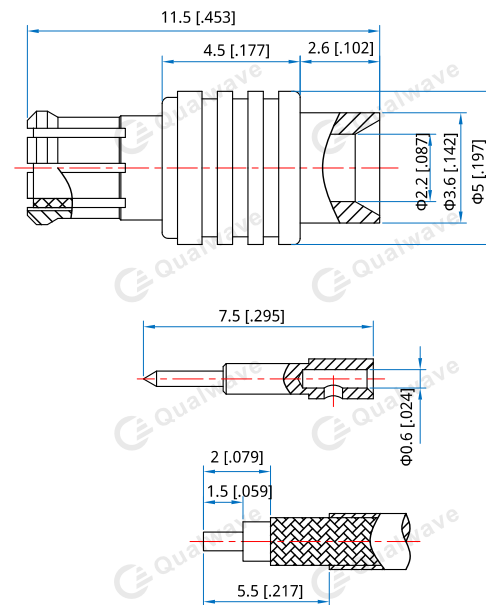
RF Connector: MCX Male  
Mating Cable: QB1200  
Outer Conductor: Brass/Gold plated beryllium copper  
Dielectric: PTFE  
Innerr Conductor: Gold plated brass

### How To Order

**QCM-MB-086-1**

Customization is available upon request.

### Outline Drawings



Unit: mm [in]

Tolerance:  $\pm 0.2\text{mm}$  [ $\pm 0.008\text{in}$ ]