

QCM-MRB-086-2

MCX Male Right Angle

Features:
* Low VSWR

Applications:
* Wireless
* Radar
* Instruments
* Electronics

Electrical

Frequency: DC~6GHz
VSWR: 1.25 max.
Impedance: 50Ω

Mechanical

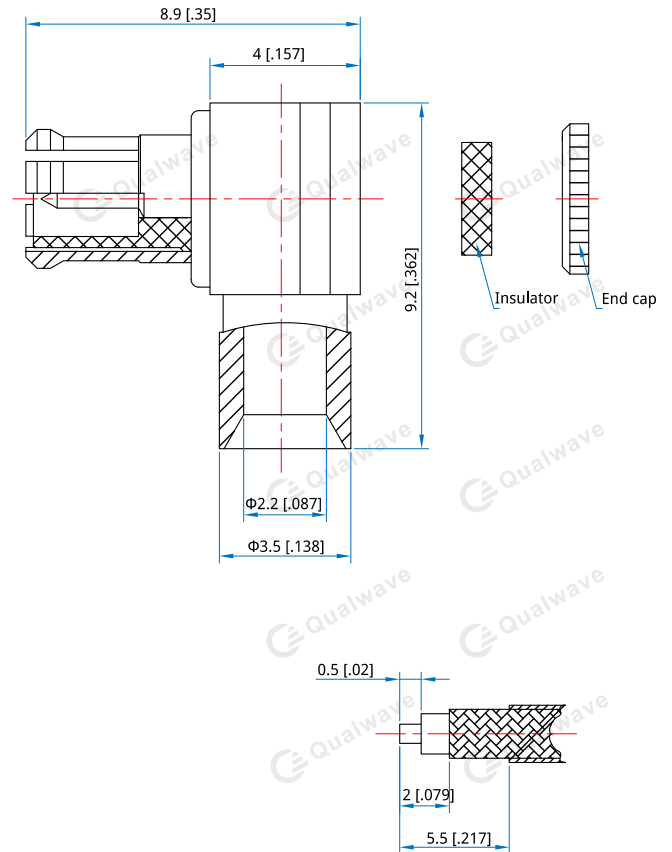
RF Connector: MCX male Right Angle
Mating Cable: QH280, QD086, QE086, RG316, RG316D
Outer Conductor: Gold plated brass/
Gold plated beryllium copper
Dielectric: PTFE
Inner Conductor: Gold plated brass

How To Order

QCM-MRB-086-2

Customization is available upon request.

Outline Drawings



Unit: mm [in]
Tolerance: ±0.2mm [±0.008in]