

QCN-FB-086-1

N Female

Features:
* Low VSWR

Applications:
* Wireless
* Radar
* Instruments
* Electronics



Electrical

Frequency: DC~18GHz
VSWR: 1.25 max.

Mechanical

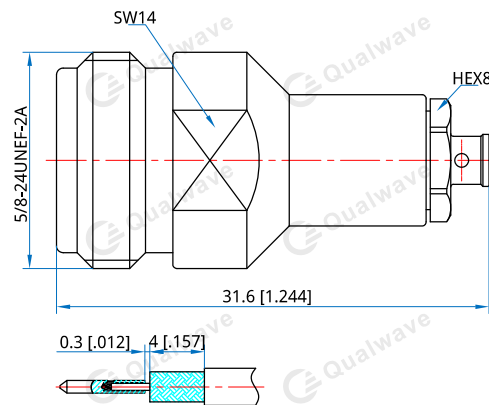
RF Connector: N Female
Mating Cable: QH280, QE086, QD086, RG316
Outer Conductor: Nickel plated brass

How To Order

QCN-FB-086-1

Customization is available upon request.

Outline Drawings



Unit: mm [in]

Tolerance: $\pm 0.2\text{mm}$ [$\pm 0.008\text{in}$]