

QCN-FG-A360-1

N Female

Features:
* Low VSWR

Applications:
* Wireless
* Radar
* Instruments
* Electronics

Electrical

Frequency:	DC~18GHz
VSWR:	1.25 max.
Impedance of Dielectric:	5000MΩ min.
Voltage Withstand:	750V DC min
Impedance:	50Ω

Mechanical

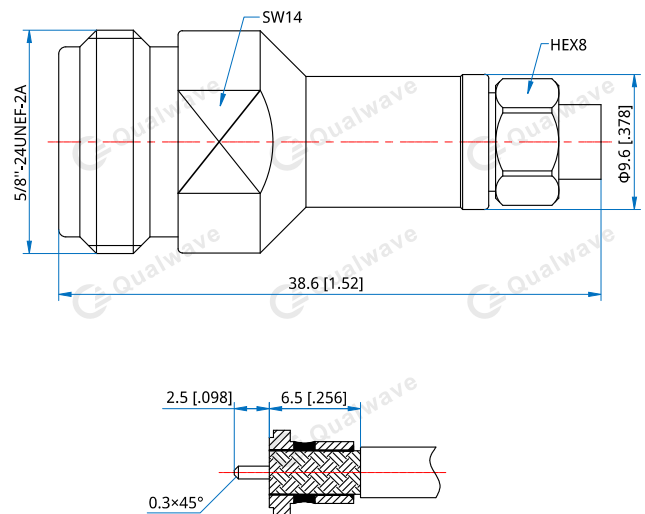
RF Connector:	N Female
Mating Cable:	QA360
Outer Conductor:	303F stainless steel
Dielectric:	PEI
Innerr Conductor:	Gold plated beryllium copper

How To Order

QCN-FG-A360-1

Customization is available upon request.

Outline Drawings



Unit: mm [in]
Tolerance: ±0.2mm [±0.008in]