

# QCN-FG-A800-1

## N Female

Features:  
\* Low VSWR

Applications:  
\* Wireless  
\* Radar  
\* Instruments  
\* Electronics

### Electrical

Frequency: DC ~ 18GHz  
VSWR: 1.4 max.  
Impedance: 50Ω

### Mechanical

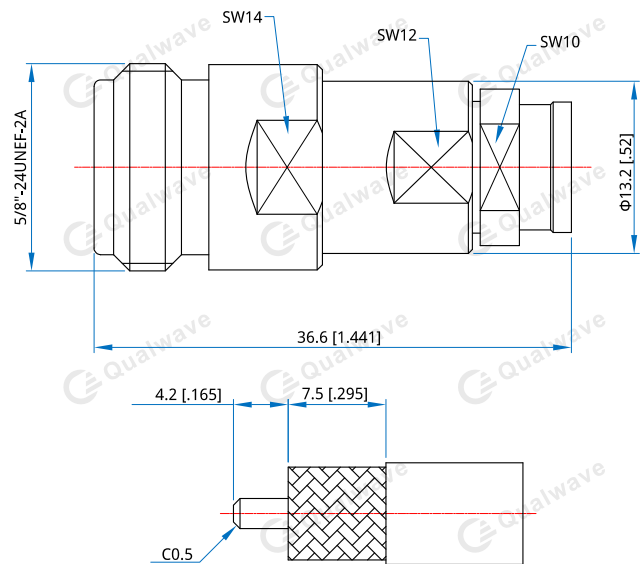
RF Connector: N Female  
Mating Cable: QA800  
Inner Conductor: Gold plated beryllium copper  
Outer Conductor: Passivated stainless steel

### How To Order

#### QCN-FG-A800-1

Customization is available upon request.

### Outline Drawings



Unit: mm [in]  
Tolerance:  $\pm 0.2$ mm [ $\pm 0.008$ in]