

QCN-FG-A810-1

N Female

Features:
* Low VSWR

Applications:

- * Radar
- * Instruments
- * Electronics



Electrical

Frequency:	DC~18GHz
VSWR:	1.3 max.
Impedance of Dielectric:	5000MΩ min.
Voltage Withstand:	1000V DC min
Impedance:	50Ω

Mechanical

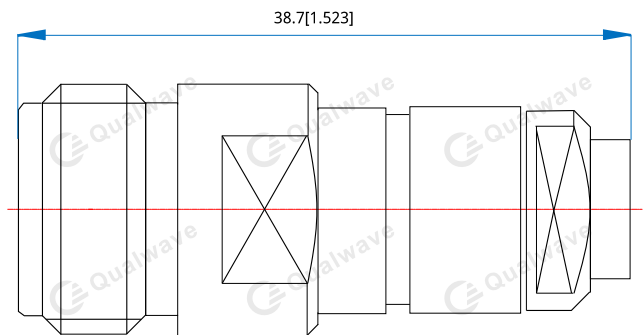
RF Connector:	N Female
Mating Cable:	QA760, QA810
Outer Conductor:	Stainless steel passivation
Dielectric:	PEI
Inner Conductor:	Gold plated berylliums copper

How To Order

QCN-FG-A810-1

Customization is available upon request.

Outline Drawings



Unit: mm [in]

Tolerance: ±0.2mm [±0.008in]