

QCN-FHCB-RG316D-1

N Female, Bulk head, Crimp

Features:
* Low VSWR

Applications:
* Wireless
* Radar
* Instruments
* Electronics

Electrical

Frequency: DC~6GHz
VSWR: 1.15 max. @DC~3GHz
Impedance: 50Ω

Mechanical

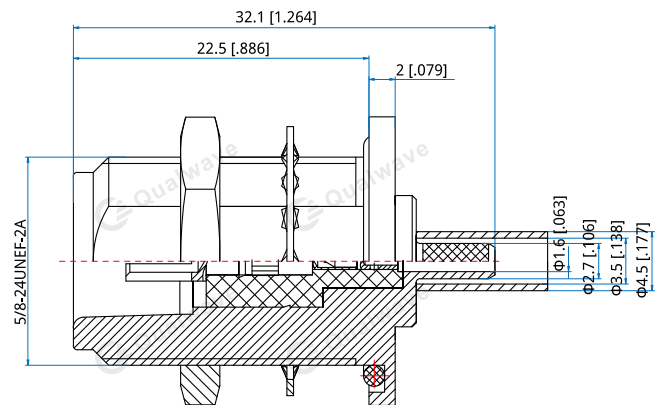
RF Connector: N Female
Mating Cable: RG316D
Material: Nickel plated brass
Dielectric: PTFE
Inner Conductor: Gold plated phosphor copper
or gold plated brass

How To Order

QCN-FHCB-RG316D-1

Customization is available upon request.

Outline Drawings



Unit: mm [in]

Tolerance: ± 0.2 mm [± 0.008 in]