

QCN-FL4B-T50-1

N Female, 4-Hole Flange Mount

Features:
* Low VSWR

Applications:
* Wireless
* Radar
* Instruments
* Electronics

Electrical

Frequency:	DC~18GHz
VSWR:	1.3 max.
Impedance of Dielectric:	5000MΩ min.
Voltage Withstand:	1000V DC
Impedance:	50Ω

Mechanical

RF Connector:	N Female
Mating Cable:	QT50
Mating Life Cycle:	500 cycles
Outer Conductor:	Ternary alloy plated brass
Inner Conductor:	Gold plated beryllium copper
Dielectric:	PEI

Environmental

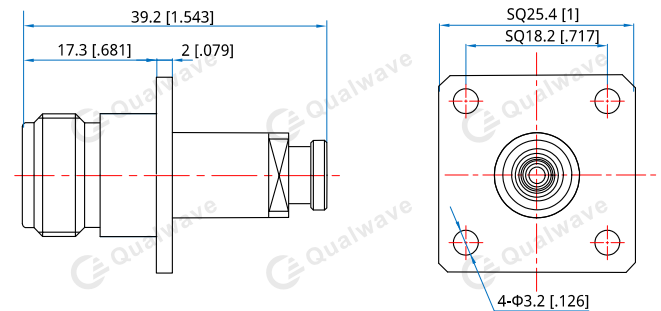
Operation Temperature:	-55~+165°C
------------------------	------------

How To Order

QCN-FL4B-T50-1

Customization is available upon request.

Outline Drawings



Unit: mm [in]

Tolerance: ±0.2mm [±0.008in]