

QCN-MCB-R600-2

N Male, Crimp

Features:
* Low VSWR

Applications:
* Wireless
* Radar
* Instruments
* Electronics

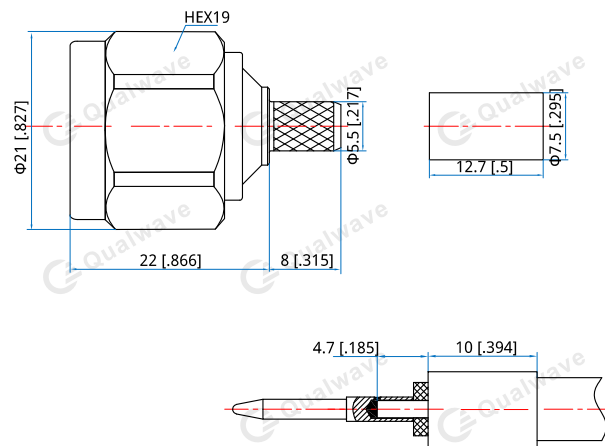
Electrical

Frequency:	DC-6GHz
VSWR:	1.3 max.
Impedance of Dielectric:	5000MΩ min.
Voltage Withstand:	1500V DC min
Impedance:	50Ω

Mechanical

RF Connector:	N male
Mating Cable:	QR600
Outer Conductor:	Nickel plated brass
Dielectric:	PTFE
Inner Conductor:	Gold plated brass

Outline Drawings



Unit: mm [in]

Tolerance: ±0.2mm [±0.008in]

How To Order

QCN-MCB-R600-2

Customization is available upon request.