

## QCN-MCB-RG142-1

### N Male Crimp

Features:  
\* Low VSWR

Applications:  
\* Wireless  
\* Radar  
\* Instruments  
\* Electronics

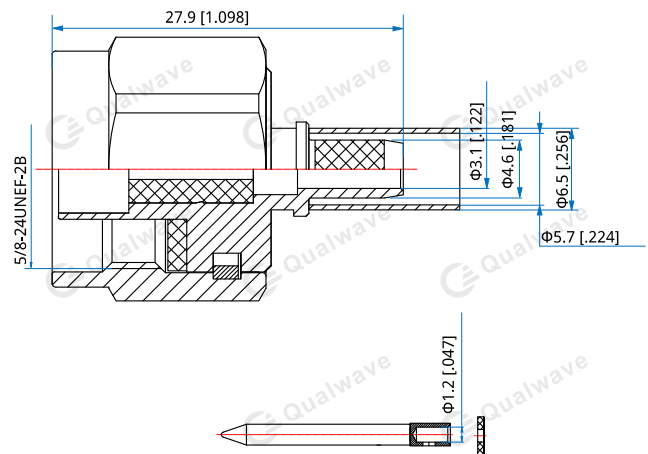
#### Electrical

Frequency: DC~6GHz  
VSWR: 1.15 max.@DC~3GHz  
Impedance: 50Ω

#### Mechanical

RF Connector: N male  
Mating Cable: RG223, RG58, LMR195, RG142  
Outer Conductor: Ternary Alloy Plated Brass  
Inner Conductor: Gold Plated Brass

#### Outline Drawings



Unit: mm [in]  
Tolerance: ±0.2mm [±0.008in]

#### How To Order

**QCN-MCB-RG142-1**

Customization is available upon request.