

QCN-MG-B1200-1

N Male

Features:
* Low VSWR

Applications:
* Wireless
* Radar
* Instruments
* Electronics



Electrical

Frequency: DC~10GHz
VSWR: 1.3 max.

Mechanical

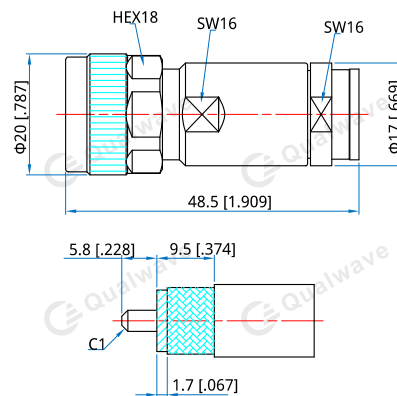
RF Connector: N Male
Mating Cable: QB1200
Outer Conductor: Passivated Stainless Steel
Inner Conductor: Gold Plated Beryllium Copper

How To Order

QCN-MG-B1200-1

Customization is available upon request.

Outline Drawings



Unit: mm [in]

Tolerance: ± 0.2 mm [± 0.008 in]