

QCN-MRB-141-1

N Male Right Angle

Features:
* Low VSWR

Applications:
* Wireless
* Radar
* Instruments
* Electronics



Electrical

Frequency: DC-6GHz
VSWR: 1.3 max.

Mechanical

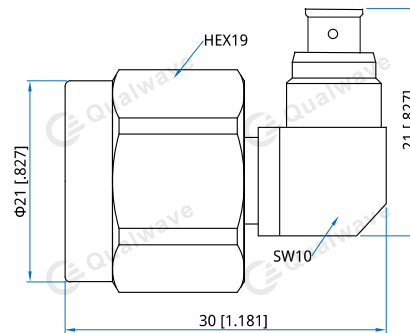
RF Connector: N male right angle
Mating Cable: QH400, QE141, QD141
Outer Conductor: Nickel Plated Brass

How To Order

QCN-MRB-141-1

Customization is available upon request.

Outline Drawings



Unit: mm [in]

Tolerance: ± 0.2 mm [± 0.008 in]