

QCP-FB-A360-3

SMP Female

Features:
* Low VSWR

Applications:
* Wireless
* Radar
* Instruments
* Electronics

Electrical

Frequency:	DC~40GHz
VSWR:	1.4 max.
Impedance of Dielectric:	5000MΩ min.
Voltage Withstand:	500V DC min.
Impedance:	50Ω

Mechanical

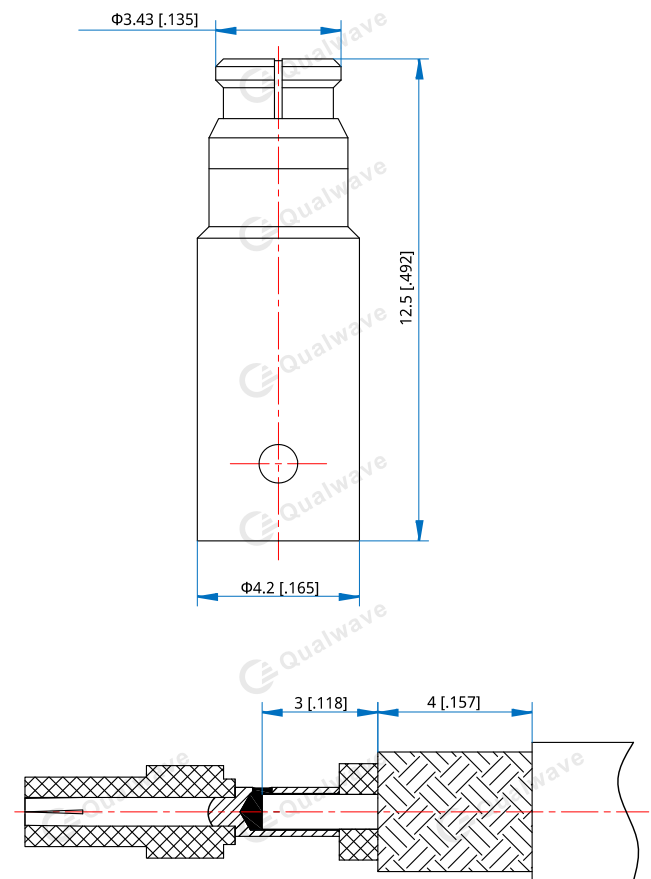
RF Connector:	SMP Female
Mating Cable:	QA360
Outer Conductor:	Beryllium copper

How To Order

QCP-FB-A360-3

Customization is available upon request.

Outline Drawings



Unit: mm [in]

Tolerance: ± 0.2 mm [± 0.008 in]