

# QCP-MB-086-1

## SMP Male

Features:  
\* Low VSWR

Applications:  
\* Wireless  
\* Radar  
\* Instruments  
\* Electronics

### Electrical

Frequency: DC~40GHz  
VSWR: 1.4 max.

### Mechanical

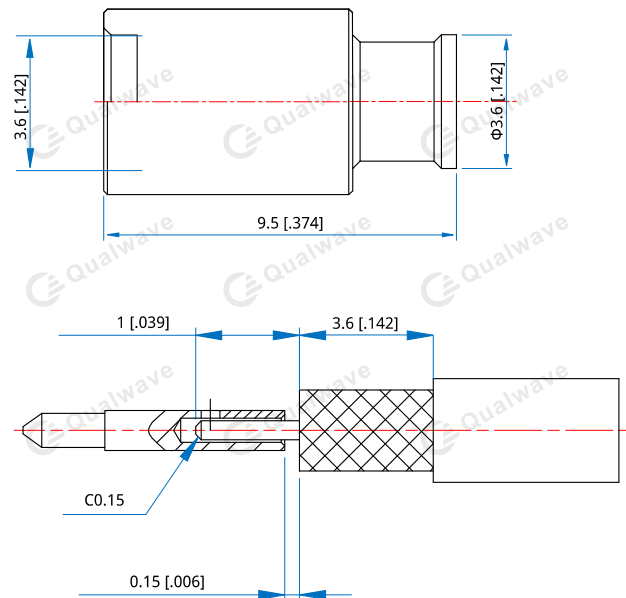
RF Connector: SMP male  
Mating Cable: HA220  
Outer Conductor: Gold plated Phosphor copper

### How To Order

#### QCP-MB-086-1

Customization is available upon request.

### Outline Drawings



Unit: mm [in]  
Tolerance:  $\pm 0.2$ mm [ $\pm 0.008$ in]