

# QCS-FB-086-2

## SMA Female

Features:  
\* Low VSWR

Applications:  
\* Wireless  
\* Radar  
\* Instruments  
\* Electronics



### Electrical

Frequency: DC~26.5GHz  
VSWR: 1.25 max.

### Mechanical

RF Connector: SMA Female  
Mating Cable: QH280, QE086, QD086, RG316  
Outer Conductor: Gold plated brass  
Dielectric: PTFE  
Inner Conductor: Gold plated Beryllium copper

### Environmental

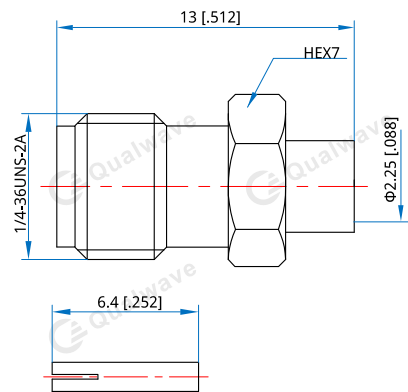
Temperature: -55~+165°C

### How To Order

**QCS-FB-086-2**

Customization is available upon request.

### Outline Drawings



Unit: mm [in]

Tolerance:  $\pm 0.2\text{mm}$  [ $\pm 0.008\text{in}$ ]