

# QCS-FG-Z500-1

## SMA Female

Features:  
\* Low VSWR

Applications:  
\* Wireless  
\* Radar  
\* Instruments  
\* Electronics

### Electrical

Frequency:	DC~26.5GHz
VSWR:	1.25 max.
Impedance of Dielectric:	5000MΩ min.
Voltage Withstand:	1000V DC min.
Impedance:	50Ω

### Mechanical

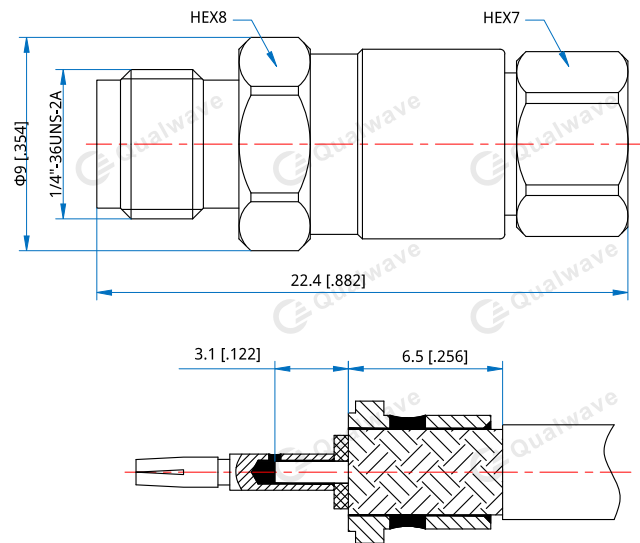
RF Connector:	SMA Female
Mating Cable:	QZ500
Outer Conductor:	303F stainless steel

### How To Order

#### QCS-FG-Z500-1

Customization is available upon request.

### Outline Drawings



Unit: mm [in]

Tolerance: ±0.2mm [±0.008in]