

QCS-FG-Z600-1

SMA Female

Features:
* Low VSWR

Applications:
* Wireless
* Radar
* Instruments
* Electronics

Electrical

Frequency:	DC~18GHz
VSWR:	1.3 max.
Impedance of Dielectric:	5000MΩ min.
Voltage Withstand:	1000V DC min.
Impedance:	50Ω

Mechanical

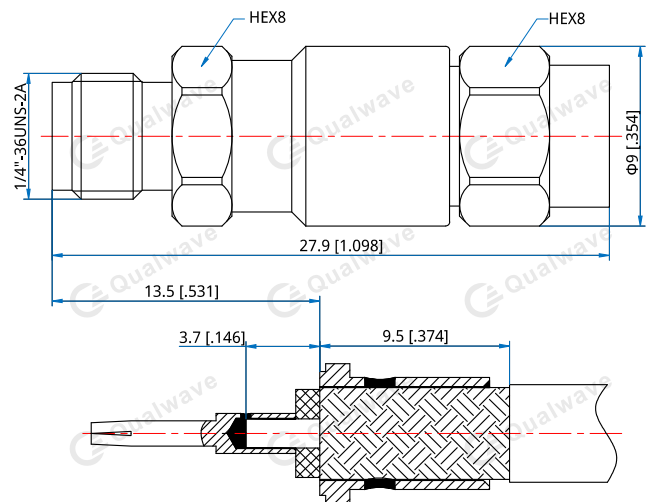
RF Connector:	SMA female
Mating Cable:	QZ600
Outer Conductor:	Passivated stainless steel
Dielectric:	PTFE
Inner Conductor:	Gold plated beryllium copper

How To Order

QCS-FG-Z600-1

Customization is available upon request.

Outline Drawings



Unit: mm [in]

Tolerance: $\pm 0.2\text{mm}$ [$\pm 0.008\text{in}$]