

# QCS-FL2B-141-1

## SMA Female, 2-Hole Flange Mount

Features:  
\* Low VSWR

Applications:  
\* Wireless  
\* Radar  
\* Instruments  
\* Electronics

### Electrical

Frequency: DC~18GHz  
VSWR: 1.25 max.  
Impedance: 50Ω

### Mechanical

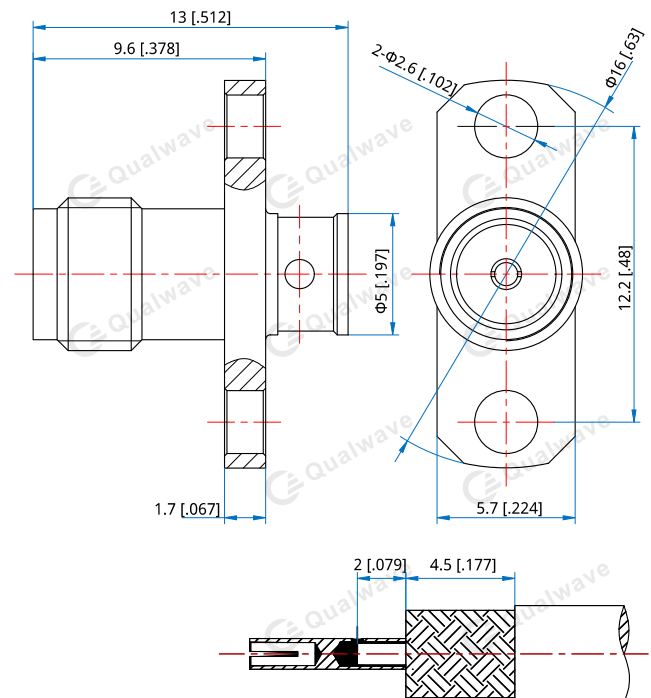
RF Connector: SMA Female  
Mating Cable: QH400, QD141, QE141  
Outer Conductor: Brass

### How To Order

**QCS-FL2B-141-1**

Customization is available upon request.

### Outline Drawings



Unit: mm [in]  
Tolerance: ±0.2mm [±0.008in]