

QCS-FL4G-A360-1

SMA Female, 4-Hole Flange Mount

Features:
* Low VSWR

Applications:
* Wireless
* Radar
* Instruments
* Electronics

Electrical

Frequency: DC~18GHz
VSWR: 1.3 max.
Impedance: 50Ω

Mechanical

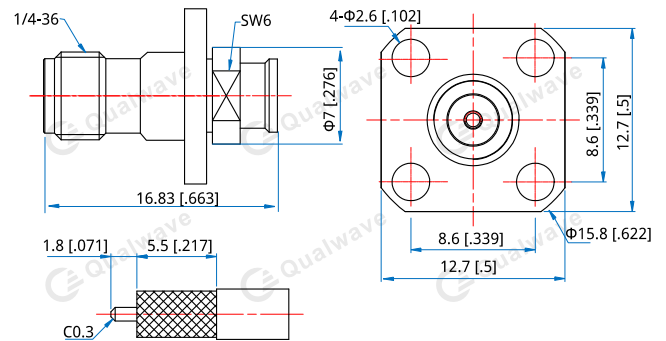
RF Connector: SMA Female
Mating Cable: QA360
Outer Conductor: Passivated stainless steel

How To Order

QCS-FL4G-A360-1

Customization is available upon request.

Outline Drawings



Unit: mm [in]

Tolerance: $\pm 0.2\text{mm}$ [$\pm 0.008\text{in}$]