

QCS-MCB-RG142-3

SMA Male Crimp

Features:
* Low VSWR

Applications:
* Wireless
* Radar
* Instruments
* Electronics

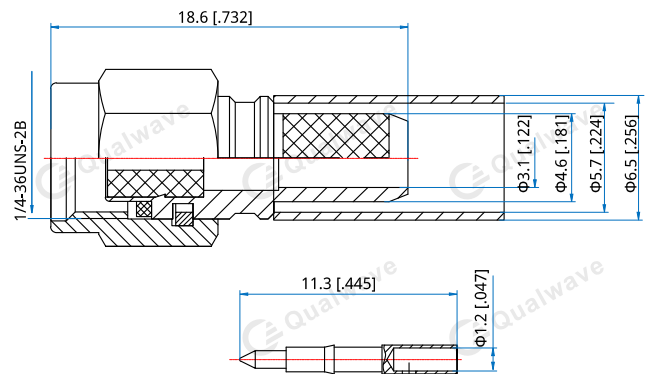
Electrical

Frequency: DC~6GHz
VSWR: 1.15 max.@DC~3GHz
Impedance: 50Ω

Mechanical

RF Connector: SMA male
Mating Cable: RG223, RG58, LMR195, RG142
Outer Conductor: Gold Plated Brass
Inner Conductor: Gold Plated Brass

Outline Drawings



Unit: mm [in]
Tolerance: ±0.2mm [±0.008in]

How To Order

QCS-MCB-RG142-3

Customization is available upon request.