

QCS-MG-086-3

SMA Male

Features:
* Low VSWR

Applications:
* Wireless
* Radar
* Instruments
* Electronics



Electrical

Frequency:	DC~26.5GHz
VSWR:	1.3 max.
Impedance of Dielectric:	5000MΩ min.
Voltage Withstand:	750V rms min.

Mechanical

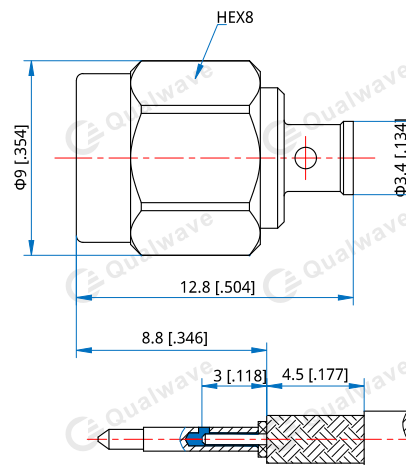
RF Connector:	SMA male
Mating Cable:	QH280, QE086, QD086, RG316
Connection sleeve:	Passivated stainless steel
Outer Conductor:	Gold plated brass
Dielectric:	PTFE
Inner Conductor:	Gold plated brass

How To Order

QCS-MG-086-3

Customization is available upon request.

Outline Drawings



Unit: mm [in]
Tolerance: ±0.2mm [±0.008in]