

QCS-MG-Z360-1

SMA Male

Features:
* Low VSWR

Applications:
* Wireless
* Radar
* Instruments
* Electronics

Electrical

Frequency:	DC~26.5GHz
VSWR:	1.25 max.
Impedance of Dielectric:	5000MΩ min.
Voltage Withstand:	1000V DC min
Impedance:	50Ω

Mechanical

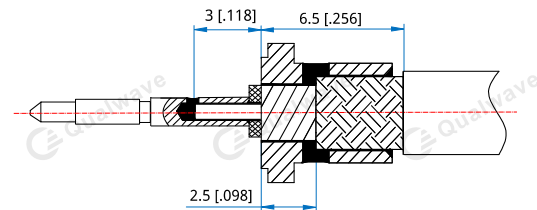
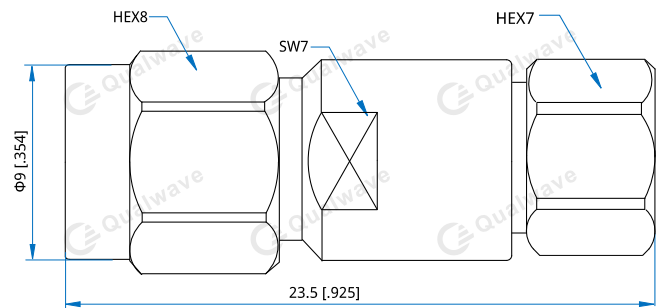
RF Connector:	SMA Male
Mating Cable:	QZ360
Outer Conductor:	303F stainless steel

How To Order

QCS-MG-Z360-1

Customization is available upon request.

Outline Drawings



Unit: mm [in]
Tolerance: $\pm 0.2\text{mm}$ [$\pm 0.008\text{in}$]