

QCS-MRB-141-4

SMA Male Right Angle

Features:
* Low VSWR

Applications:
* Wireless
* Radar
* Instruments
* Electronics

Electrical

Frequency:	DC-6GHz
VSWR:	1.25 max.
Impedance of Dielectric:	5000MΩ min.
Voltage Withstand:	1000V DC min.
Impedance:	50Ω

Mechanical

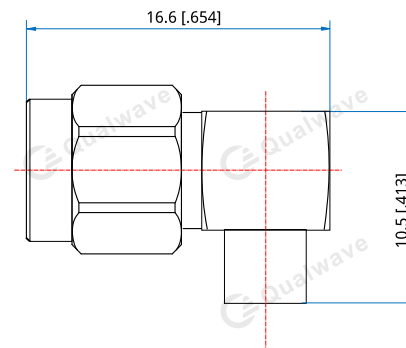
RF Connector:	SMA Male Right Angle
Mating Cable:	QH400, QD141, QE141
Outer Conductor:	Gold plated brass
Dielectric:	PTFE
Innerr Conductor:	Gold plated brass

How To Order

QCS-MRB-141-4

Customization is available upon request.

Outline Drawings



Unit: mm [in]

Tolerance: ±0.2mm [±0.008in]