

QCS-MRCB-R1000-1

SMA Male, Crimp

Features:
* Low VSWR

Applications:
* Wireless
* Radar
* Instruments
* Electronics

Electrical

Frequency: DC~6GHz
VSWR: 1.2 max. DC~3GHz
Impedance: 50Ω

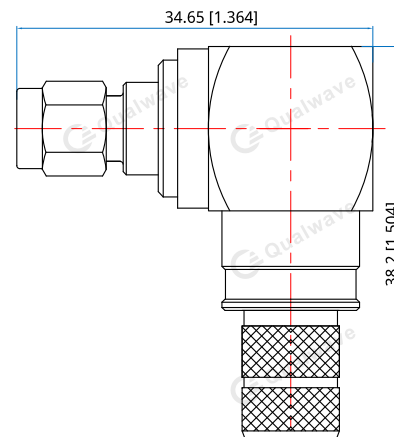
Mechanical

RF Connector: SMA male right angle
Mating Cable: QR1000
Outer Conductor: Ternary alloy plated brass & Nickel plated brass
Inner Conductor: Gold plated phosphor bronze
Dielectric: PTFE

Environmental

Temperature: -45~+125°C

Outline Drawings



Unit: mm [in]

Tolerance: ±0.2mm [±0.008in]

How To Order

[QCS-MRCB-R1000-1](#)

Customization is available upon request.