

## QCS-MRCB-R1500-1

### SMA Male, Crimp

Features:  
\* Low VSWR

Applications:  
\* Wireless  
\* Radar  
\* Instruments  
\* Electronics

#### Electrical

Frequency: DC~6GHz  
VSWR: 1.2 max. DC~3GHz  
Impedance: 50Ω

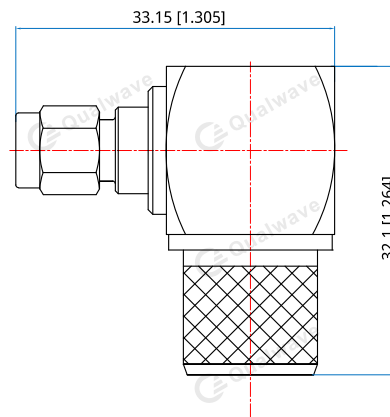
#### Mechanical

RF Connector: SMA male right angle  
Mating Cable: QR1500  
Outer Conductor: Ternary alloy plated brass & Nickel plated brass  
Inner Conductor: Gold plated brass  
Dielectric: PTFE

#### Environmental

Temperature: -45~+125°C

#### Outline Drawings



Unit: mm [in]

Tolerance: ±0.2mm [±0.008in]

#### How To Order

**QCS-MRCB-R1500-1**

Customization is available upon request.