

QCS-MRCB-R600-1

SMA Male Right Angle, Crimp

Features:
* Low VSWR

Applications:
* Wireless
* Radar
* Instruments
* Electronics

Electrical

| | |
|--------------------------|-------------|
| Frequency: | DC-6GHz |
| VSWR: | 1.3 max. |
| Impedance of Dielectric: | 5000MΩ min. |
| Voltage Withstand: | 1000V DC |
| Impedance: | 50Ω |

Mechanical

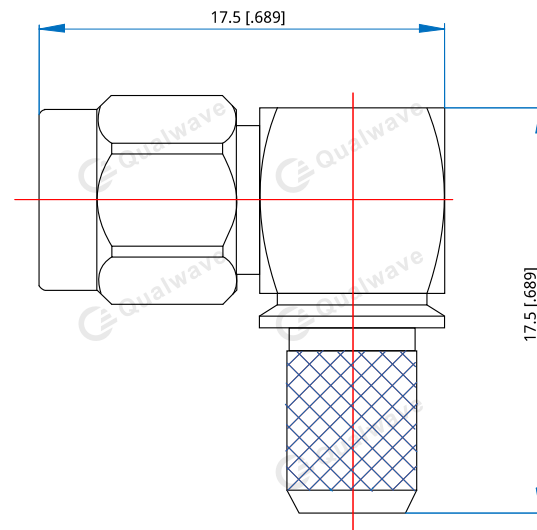
| | |
|------------------|----------------------------|
| RF Connector: | SMA Male |
| Mating Cable: | QR600 |
| Outer Conductor: | Ternary alloy plated brass |
| Dielectric: | PTFE |
| Inner Conductor: | Gold plated brass |

How To Order

QCS-MRCB-R600-1

Customization is available upon request.

Outline Drawings



Unit: mm [in]

Tolerance: ±0.2mm [±0.008in]