

QCS-MRCB-RG178-1

SMA Male Right Angle, Crimp

Features:
* Low VSWR

Applications:
* Wireless
* Radar
* Instruments
* Electronics

Electrical

Frequency:	DC~3GHz
VSWR:	1.25 max.
Impedance of Dielectric:	5000MΩ min.
Voltage Withstand:	500V DC

Mechanical

RF Connector:	SMA male right angle
Mating Cable:	RG178
Inner Conductor:	Gold plated brass
Dielectric:	PTFE
Body:	Gold plated brass

Environmental

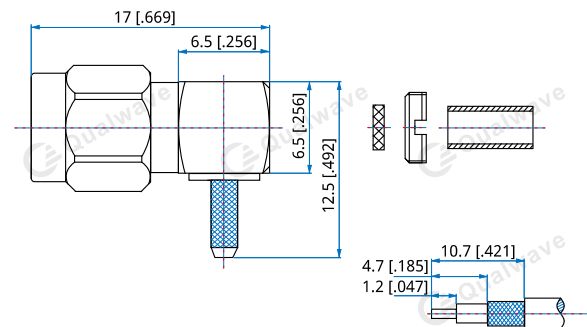
Temperature:	-40~+125
--------------	----------

How To Order

QCS-MRCB-RG178-1

Customization is available upon request.

Outline Drawings



Unit: mm [in]

Tolerance: ±0.2mm [±0.008in]