

QCS-MRG-141-3

SMA Male Right Angle

Features:
* Low VSWR

Applications:
* Wireless
* Radar
* Instruments
* Electronics

Electrical

Frequency: DC~18GHz
VSWR: 1.25 max.

Mechanical

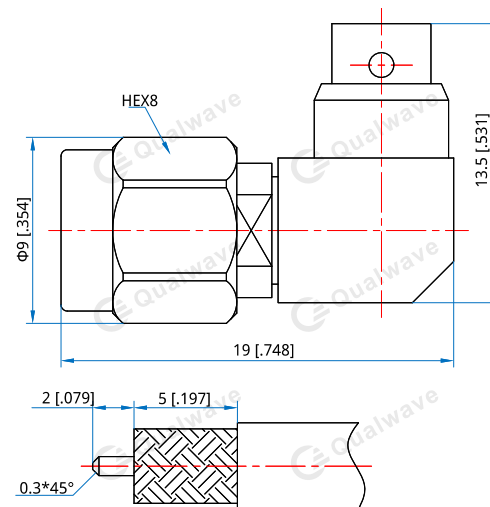
RF Connector: SMA male right angle
Mating Cable: QH400, QE141, QD141
Outer Conductor: Passivated stainless steel

How To Order

QCS-MRG-141-3

Customization is available upon request.

Outline Drawings



Unit: mm [in]

Tolerance: $\pm 0.2\text{mm}$ [$\pm 0.008\text{in}$]