

## QCS-MRG-A500-2

### SMA Male Right Angle

Features:  
\* Low VSWR

Applications:  
\* Wireless  
\* Radar  
\* Instruments  
\* Electronics



#### Electrical

Frequency: DC~18GHz  
VSWR: 1.35 max.

#### Mechanical

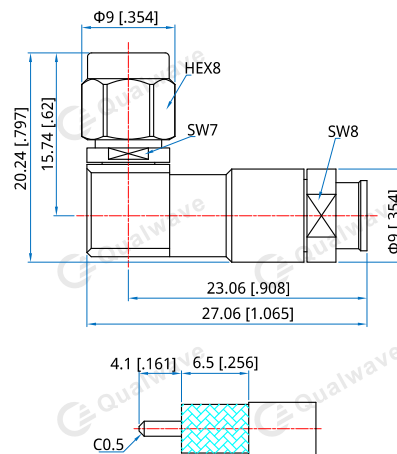
RF Connector: SMA Male Right Angle  
Mating Cable: QA500  
Outer Conductor: Passivated Stainless Steel  
Inner Conductor: Gold Plated Brass or  
Gold Plated Beryllium Copper

#### How To Order

**QCS-MRG-A500-2**

Customization is available upon request.

#### Outline Drawings



Unit: mm [in]

Tolerance:  $\pm 0.2\text{mm}$  [ $\pm 0.008\text{in}$ ]