

QCT-MCB-RG142-1

TNC Male Crimp

Features:
* Low VSWR

Applications:
* Wireless
* Radar
* Instruments
* Electronics

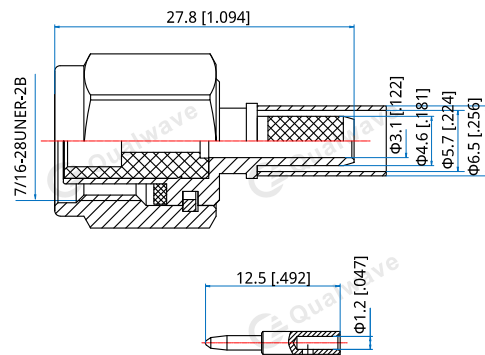
Electrical

Frequency: DC~4GHz
VSWR: 1.2 max.@DC~3GHz
Impedance: 50Ω

Mechanical

RF Connector: TNC male
Mating Cable: RG223, RG58, QR500, RG142
Outer Conductor: Nickel Plated Brass
Inner Conductor: Gold Plated Brass

Outline Drawings



Unit: mm [in]

Tolerance: $\pm 0.2\text{mm}$ [$\pm 0.008\text{in}$]

How To Order

QCT-MCB-RG142-1

Customization is available upon request.