

QCT-MG-A500-2

TNC Male

Features:
* Low VSWR

Applications:
* Wireless
* Radar
* Instruments
* Electronics

Electrical

Frequency:	DC~18GHz
VSWR:	1.25 max.
Impedance of Dielectric:	5000MΩ min.
Voltage Withstand:	1500V DC min.
Impedance:	50Ω

Mechanical

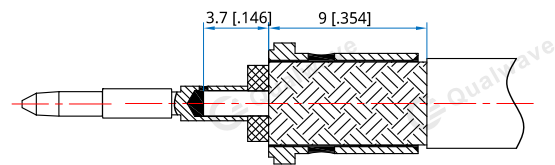
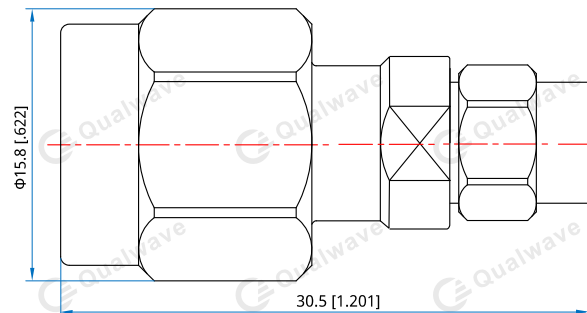
RF Connector:	TNC Male
Mating Cable:	QA480, QA500, QG500
Outer Conductor:	303F stainless steel

How To Order

QCT-MG-A500-2

Customization is available upon request.

Outline Drawings



Unit: mm [in]

Tolerance: $\pm 0.2\text{mm}$ [$\pm 0.008\text{in}$]