

QCT-MG-Z600-1

TNC Male

Features:
* Low VSWR

Applications:
* Wireless
* Radar
* Instruments
* Electronics

Electrical

Frequency:	DC~18GHz
VSWR:	1.25 max.
Impedance of Dielectric:	5000MΩ min.
Voltage Withstand:	1500V DC min
Impedance:	50Ω

Mechanical

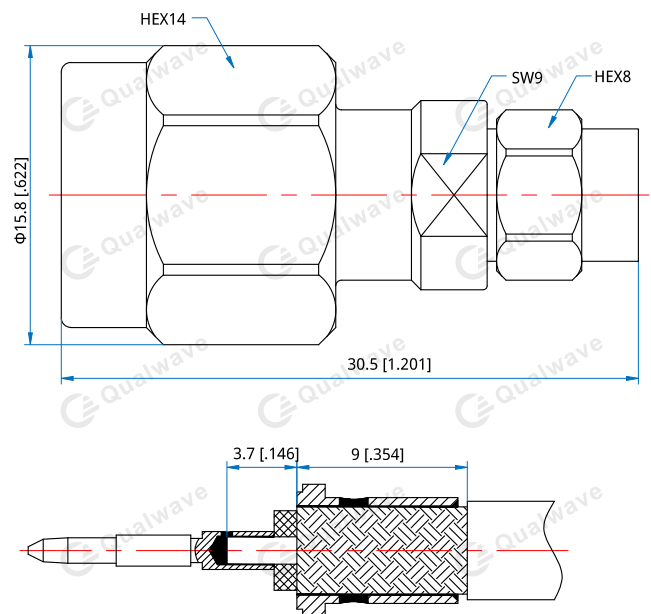
RF Connector:	TNC Male
Mating Cable:	QZ600
Outer Conductor:	303F stainless steel

How To Order

QCT-MG-Z600-1

Customization is available upon request.

Outline Drawings



Unit: mm [in]

Tolerance: ±0.2mm [±0.008in]