

QCV-MG-047-1

1.85mm Male

Features:
* Low VSWR

Applications:
* Wireless
* Radar
* Instruments
* Electronics

Electrical

Frequency:	DC-67GHz
VSWR:	1.3 max.
Impedance of Dielectric:	5000MΩ min.
Voltage Withstand:	500V DC min
Impedance:	50Ω

Mechanical

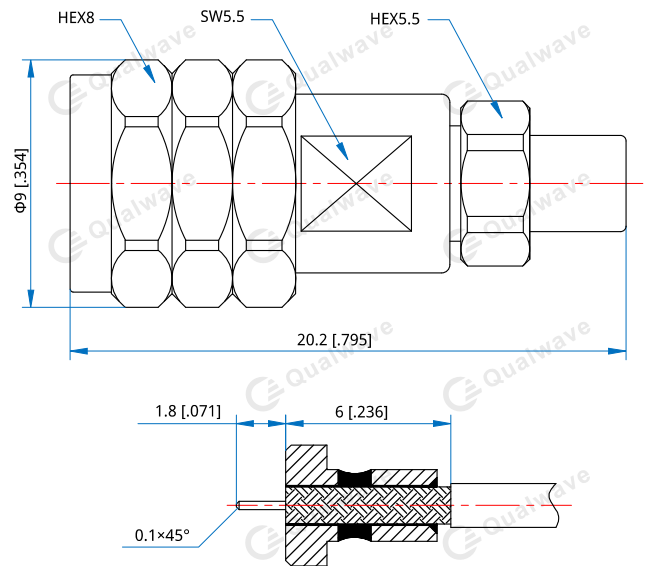
RF Connector:	1.85mm Male
Mating Cable:	QA150, QH160, QD047, QE047
Outer Conductor:	303F stainless steel

How To Order

QCV-MG-047-1

Customization is available upon request.

Outline Drawings



Unit: mm [in]
Tolerance: ±0.2mm [±0.008in]