

QCX-MB-086-1

MMCX Male

Features:
* Low VSWR

Applications:
* Wireless
* Radar
* Instruments
* Electronics

Electrical

Frequency: DC~6GHz
VSWR: 1.25 max.
Impedance: 50Ω

Mechanical

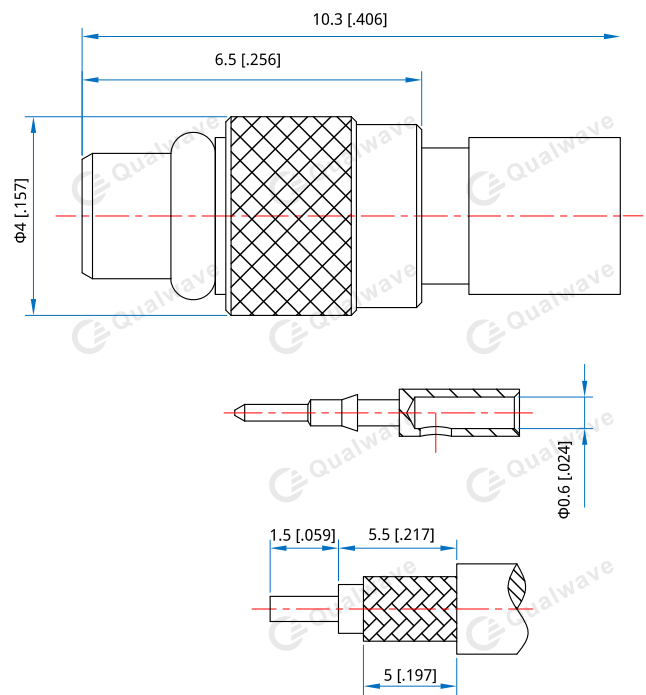
RF Connector: MMCX Male
Mating Cable: QH280, QD086, QE086, RG316, RG316D
Outer Conductor: Brass/Gold plated phosphorous copper
Dielectric: PTFE
Outer Conductor: Gold plated brass

How To Order

QCX-MB-086-1

Customization is available upon request.

Outline Drawings



Unit: mm [in]
Tolerance: ± 0.2 mm [± 0.008 in]