

QCX-MRB-086-1

MMCX Male Right Angle

Features:
* Low VSWR

Applications:
* Wireless
* Radar
* Instruments
* Electronics



Electrical

Frequency: DC~6GHz
VSWR: 1.25 max.

Mechanical

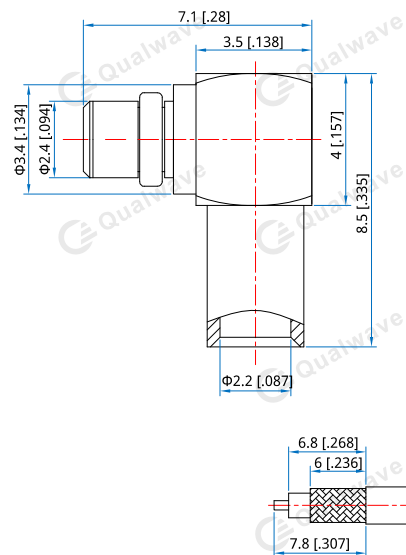
RF Connector: MMCX male right angle
Mating Cable: QH280, QE086, QD086, RG316
Outer Conductor: Brass

How To Order

QCX-MRB-086-1

Customization is available upon request.

Outline Drawings



Unit: mm [in]

Tolerance: $\pm 0.2\text{mm}$ [$\pm 0.008\text{in}$]