

## QA11

### 1.0mm to 1.0mm

Features:  
\* Low VSWR

Applications:  
\* Wireless  
\* Transmitter  
\* Laboratory Test  
\* Radar

#### Electrical

Frequency:	DC~110GHz
VSWR:	1.35 max.
Insertion Loss:	0.6dB max.
Impedance:	50Ω

#### Mechanical

RF Connectors:	1.0mm
Mating Life Cycle:	2000 cycles
Outer Conductor:	Passivated SUS303 stainless steel or gold plated beryllium copper
Dielectric:	PEEK or CPS or PEI
Inner Conductor:	Gold plated beryllium copper

#### Environmental

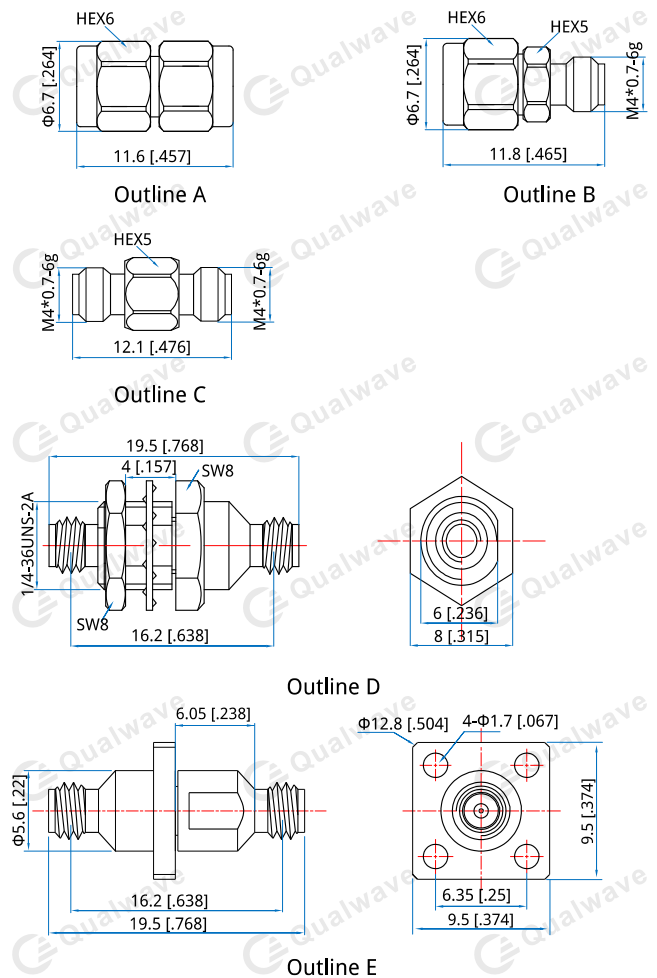
Temperature: -55~+85°C

#### How To Order

- QA11-MM** - 1.0mm(m) to 1.0mm(m), Outline A
- QA11-MF** - 1.0mm(m) to 1.0mm(f), Outline B
- QA11-FF** - 1.0mm(f) to 1.0mm(f), Outline C
- QA11H-FF** - 1.0mm(f) to 1.0mm(f), bulk head, Outline D
- QA11L-FF** - 1.0mm(f) to 1.0mm(f), flange mount, Outline E

Customization is available upon request.

#### Outline Drawings



Unit: mm [in]  
 Tolerance:  $\pm 0.2$ mm [ $\pm 0.008$ in]