

QA2N

2.4mm to N

Features:
* Low VSWR

Applications:
* Wireless
* Transmitter
* Laboratory Test
* Radar

Electrical

Frequency: DC~18GHz
VSWR: 1.2 max.
Impedance: 50Ω

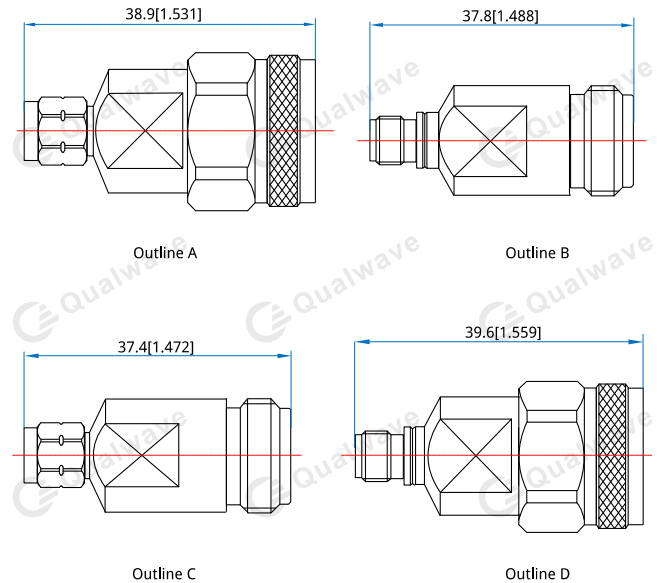
Mechanical

RF Connectors: 2.4mm
N
Mating Life Cycle: 500 cycles
Outer Conductor: Passivated stainless Steel
Dielectric: PEI
Inner Conductor: Gold Plated Beryllium Copper

Environmental

Temperature: -55~+165°C

Outline Drawings



Unit: mm [in]
Tolerance: ±0.2mm [±0.008in]

How To Order

- QA2N-MM** - 2.4mm (m) to N (m), Outline A
- QA2N-FF** - 2.4mm (f) to N (f), Outline B
- QA2N-MF** - 2.4mm (m) to N (f), Outline C
- QA2N-FM** - 2.4mm (f) to N (m), Outline D

Customization is available upon request.