

QA77 7/16 DIN to 7/16 DIN

Features:
* Low VSWR

Applications:
* Wireless
* Transmitter
* Laboratory Test
* Radar

Electrical

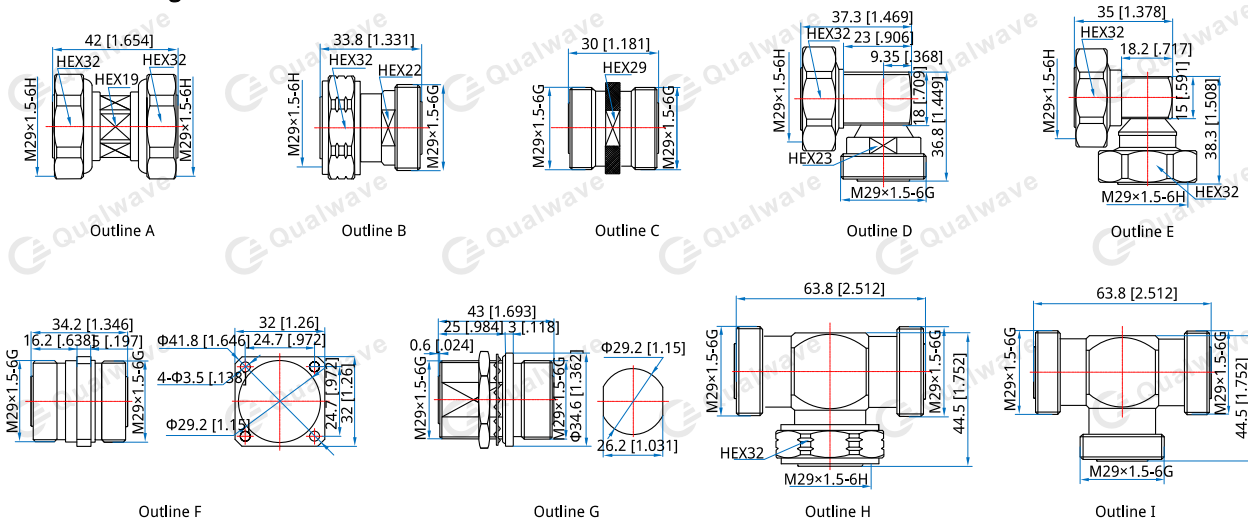
Frequency: DC-6GHz
Dielectric Withstanding Voltage: 4000V RMS, 50Hz, at sea level, min.
Working Voltage: 2700V RMS, 50Hz, at sea level, max.
Impedance: 50Ω

Mechanical

RF Connectors: 7/16 DIN
Mating Life Cycle: 500 cycles min.
Outer Conductor: Nickel plated brass (Outline A, B)
Ternary alloy plated brass
Dielectric: PTFE
Inner Conductor: Silver plated brass

Model	Frequency (GHz)	VSWR (max.)	Insertion Loss (dB max.)	Inter-modulation 3 rd (dBc max.)	Impedance of Dielectric (MΩ min.)	Impedance of Contact (Center) (mΩ max.)	Impedance of Contact (Outer) (mΩ max.)
QA77-MM	DC-6	1.2	-	-	10000	1.5	0.4
QA77-MF	DC-6	1.2	-	-155@2x20W	10000	0.4	1.0
QA77-FF	DC-6	1.05@DC-3GHz 1.2@3-6GHz	-	-155	5000	1.0	1.5
QA77R-MF	DC-6	1.15@DC-3GHz 1.4@3-6GHz	-	-155	10000	0.4	1.0
QA77R-MM	DC-6	1.15@DC-3GHz 1.4@3-6GHz	0.15	-155	10000	0.4	1.0
QA77L-FF	DC-6	1.05@DC-3GHz 1.2@3-6GHz	-	-155	5000	1.0	1.5
QA77H-FF	DC-6	1.2	-	-155	5000	0.4	1.0
QA777-FMF	DC-3	-	-	-155@2x20W	5000	0.4	1.0
QA777-FFF	DC-3	-	-	-155@2x20W	5000	0.4	1.0

Outline Drawings



Unit: mm [in] Tolerance: $\pm 0.2\text{mm}$ [$\pm 0.008\text{in}$]**Environmental**

Temperature: -45~+85°C
 -45~+125°C (Outline A, F)**How To Order****QA77-MM** - 7/16 DIN (m) to 7/16 DIN (m), Outline A**QA77-MF** - 7/16 DIN (m) to 7/16 DIN (f), Outline B**QA77-FF** - 7/16 DIN (f) to 7/16 DIN (f), Outline C**QA77R-MF** - 7/16 DIN(m) to 7/16 DIN(f) right angle, Outline D**QA77R-MM** - 7/16 DIN(m) to 7/16 DIN(m) right angle, Outline E**QA77L-FF** - 7/16 DIN(f) to 7/16 DIN(f), Flange mount, Outline F**QA77H-FF** - 7/16 DIN(f) to 7/16 DIN(f), Bulk head, Outline G**QA777-FMF** - 7/16 DIN (f) to 7/16 DIN (m) to 7/16 DIN (f), Outline H**QA777-FFF** - 7/16 DIN (f) to 7/16 DIN (f) to 7/16 DIN (f), Outline I

Customization is available upon request.