

QAB1B1

TRB to TRB

Features:
* Low VSWR

Applications:
* Wireless
* Transmitter
* Laboratory Test
* Radar

Electrical

Frequency:	DC~3GHz
VSWR:	1.2 max. (Outline A, C)
Dielectric Withstanding Voltage:	1000V RMS, 50Hz, at sea level, min. 5000V RMS, 50Hz, at sea level, min. (Outline B)
Working Voltage:	1000V RMS, 50Hz, at sea level, max.
Impedance of Dielectric:	5000MΩ min.
Impedance of Contact (Center):	1.5mΩ max.
Impedance of Contact (Inner):	1mΩ max. (Excluding B)
Impedance of Contact (Outer):	1.5mΩ max. 0.2mΩ max. (Outline B)
Impedance:	50Ω

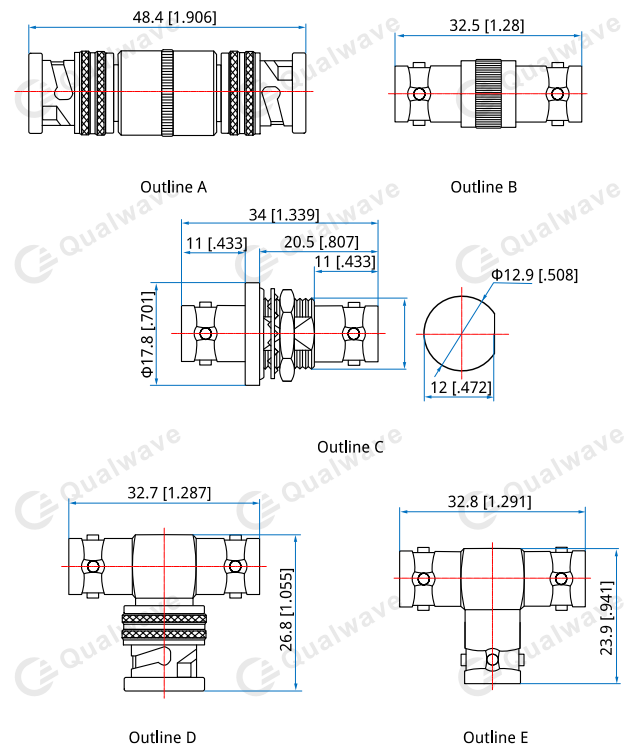
Mechanical

RF Connectors:	TRB
Mating Life Cycle:	500 cycles min.
Outer Conductor:	Ternary alloy plated brass (Outline A, C) Nickel plated brass
Dielectric:	PTFE
Inner Conductor:	Gold plated phosphor copper

Environmental

Temperature:	-50~+125°C
--------------	------------

Outline Drawings



Unit: mm [in]
Tolerance: ±0.2mm [±0.008in]

How To Order

- QAB1B1-MM** - TRB (m) to TRB (m), Outline A
- QAB1B1-FF** - TRB (f) to TRB (f), Outline B
- QAB1B1H-FF** - TRB (f) to TRB (f) bulk head, Outline C
- QAB1B1B1-FMF** - TRB (f) to TRB (m) to TRB (f), Outline D
- QAB1B1B1-FFF** - TRB (f) to TRB (f) to TRB (f), Outline E

Customization is available upon request.