

QABB BNC to BNC

Features:
* Low VSWR

Applications:
* Wireless
* Transmitter
* Laboratory Test
* Radar



Electrical

Frequency: DC~1GHz (Outline D, E)
DC~3GHz (Outline F)
DC~4GHz
VSWR: 1.15 max.
1.45 max. (Outline F)
Impedance: 50Ω

Environmental

Temperature: -55~+125°C

Mechanical

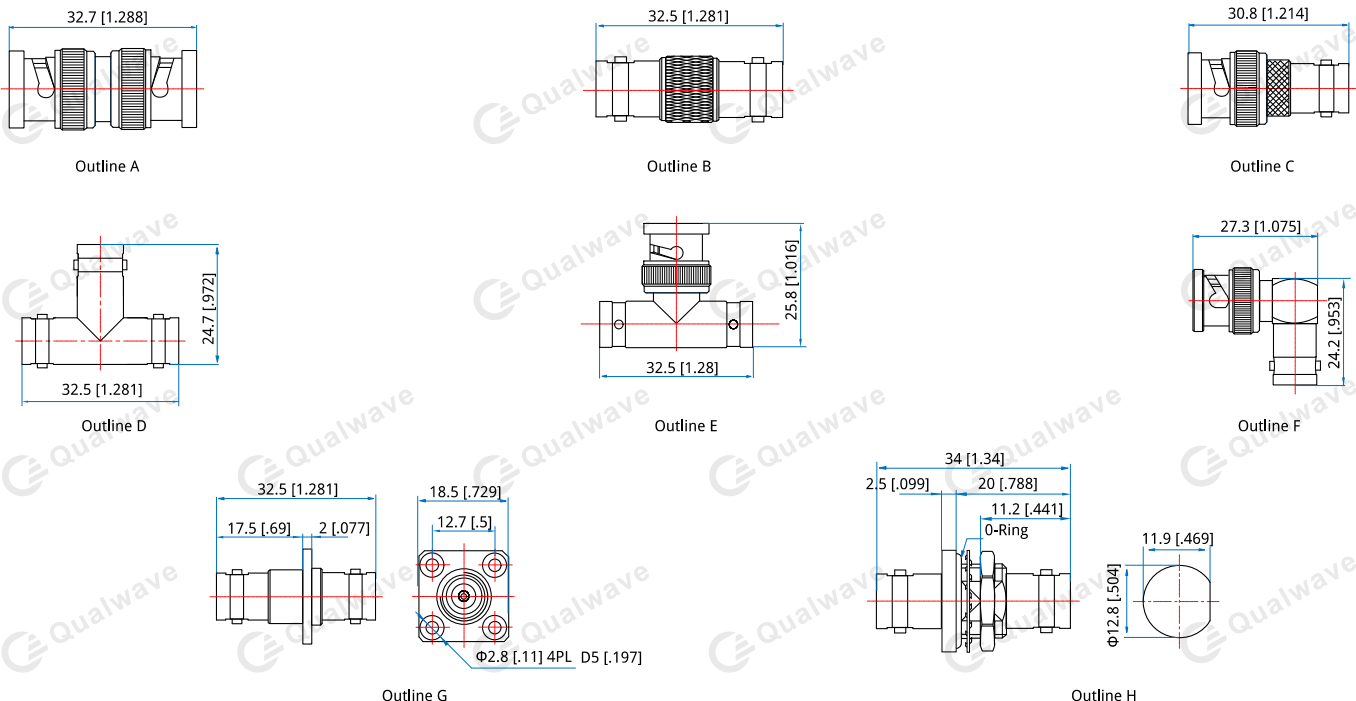
RF Connectors: BNC
Mating Life Cycle: 500 cycles
Outer Conductor: Ternary alloy plated brass or nickel plated brass
Dielectric: PTFE
Inner Conductor: Gold plated beryllium copper or Gold plated phosphor copper

How To Order

- QABB-MM** - BNC(m) to BNC(m), Outline A
- QABB-FF** - BNC(f) to BNC(f), Outline B
- QABB-MF** - BNC(m) to BNC(f), Outline C
- QABBB-FFF** - BNC(f) to BNC(f) to BNC(f), Outline D
- QABBB-FMF** - BNC(f) to BNC(m) to BNC(f), Outline E
- QABBR-MF** - BNC(m) to BNC(f), Right angle, Outline F
- QABBL-FF** - BNC(f) to BNC(f), Flange mount, Outline G
- QABBH-FF** - BNC(f) to BNC(f), Bulk head, Outline H

Customization is available upon request.

Outline Drawings



Unit: mm [in]

Tolerance: $\pm 0.2\text{mm} [\pm 0.008\text{in}]$