

QABB1

BNC to TRB

Features:
* Low VSWR

Applications:
* Wireless
* Transmitter
* Laboratory Test
* Radar

Electrical

Frequency:	DC~0.5GHz
Dielectric Withstanding Voltage:	3000V RMS, 50Hz, at sea level, min.
Working Voltage:	1500V RMS, 50Hz, at sea level, max.
Impedance of Dielectric:	5000MΩ min.
Impedance of Contact (Center):	1.5mΩ max.
Impedance of Contact (Outer):	1mΩ max.
Impedance:	50Ω

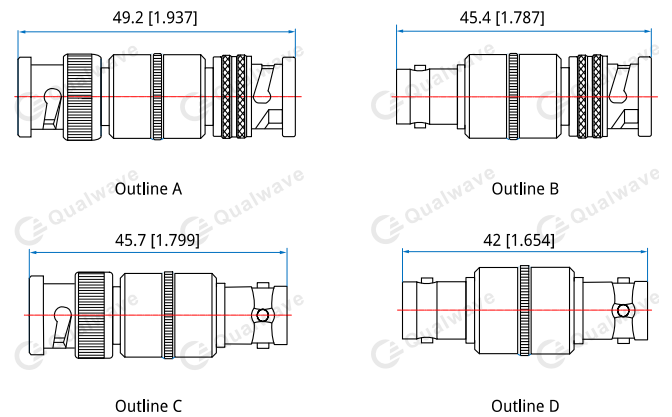
Mechanical

RF Connectors:	BNC TRB
Mating Life Cycle:	500 cycles min.
Outer Conductor:	Nickel plated brass
Dielectric:	PTFE
Inner Conductor:	Gold plated brass

Environmental

Temperature:	-45~+125°C
--------------	------------

Outline Drawings



Unit: mm [in]

Tolerance: ±0.2mm [±0.008in]

How To Order

QABB1-MM - BNC (m) to TRB (m), Outline A

QABB1-FM - BNC (f) to TRB (m), Outline B

QABB1-MF - BNC (m) to TRB (f), Outline C

QABB1-FF - BNC (f) to TRB (f), Outline D

Customization is available upon request.