

QABS1

BNC to SHV

Features:
* Low VSWR

Applications:
* Wireless
* Transmitter
* Laboratory Test
* Radar

Electrical

Frequency:	DC~0.3GHz
Dielectric Withstanding Voltage:	1500V RMS, 50Hz, at sea level, min.
Impedance of Dielectric:	5000M Ω min.
Impedance of Contact (Center):	2m Ω max.
Impedance of Contact (Outer):	1m Ω max.
Impedance:	50 Ω

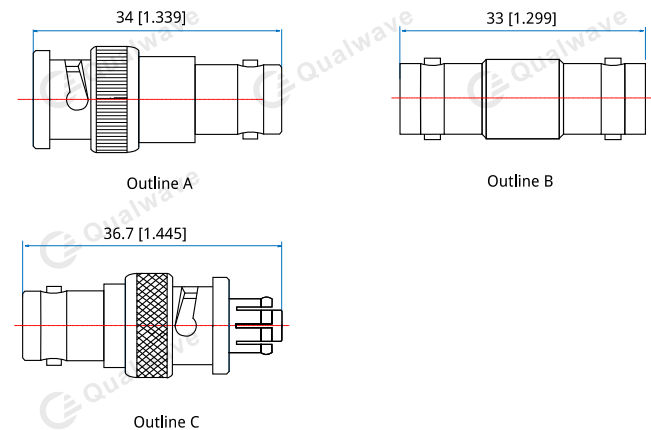
Mechanical

RF Connectors:	BNC SHV
Mating Life Cycle:	500 cycles min.
Outer Conductor:	Nickel plated brass
Dielectric:	PTFE
Inner Conductor:	Gold plated brass

Environmental

Temperature:	-45~+125°C
--------------	------------

Outline Drawings



Unit: mm [in]

Tolerance: ± 0.2 mm [± 0.008 in]

How To Order

QABS1-MM - BNC (m) to SHV (m), Outline A

QABS1-FM - BNC (f) to SHV (m), Outline B

QABS1-FF - BNC (f) to SHV (f), Outline C

Customization is available upon request.